



## LC Optical Adapter Serials

### QADLC-116 UPC/APC/MM

#### — LC-LC Simplex Optical Adapter —

(Joint-housing, SC-ears & holes, Short-housing)



Preparation	Review	Approval
Liu Jian	Liu Hongyu	Huang Xiaoyu

#### Revision History

Revise Date	Author	Document Rev.	Modification Record
2023-12-12	Liu Jian	V1.0	New Draft
2024-5-4	Liu Hongyu	V2.0	Detailed Information

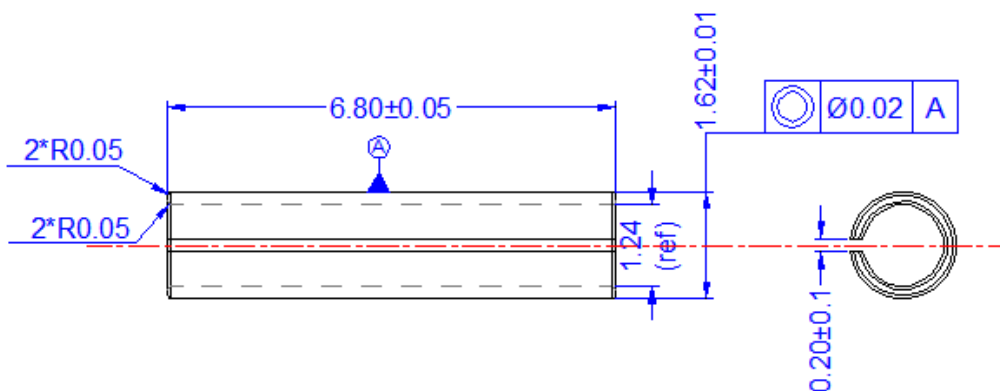
[www.qyftth.com](http://www.qyftth.com)



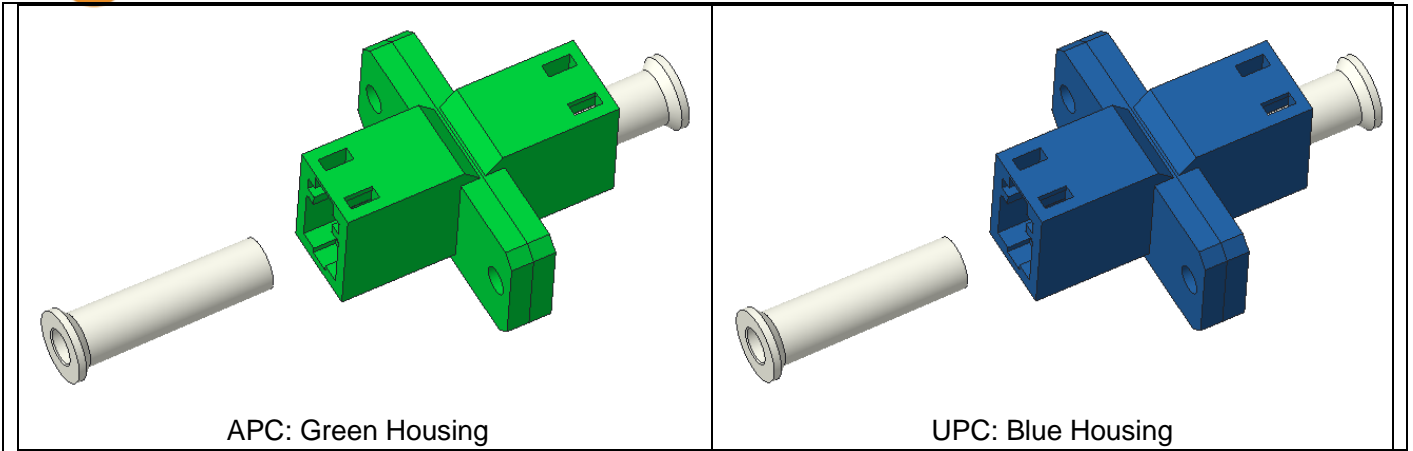
**Specification**

Items	Sub-items	Number	Explanation	Notes	Others
Application Condition	Indoor: Building residential area optical network, FTTx network, test instruments and kinds of optical communication network; Outdoor: Telecommunication base station, Cable TV network;				
Appearance	Appearance of adapter must be smooth and clean. It has no oil, burrs, scars and crack The color of adapter must be bright in good consistency All parts of adapter are assembled well without difficulty, it should be easy and comfortable to screw in and screw out connector from adapters and connect tightly.				
Material Characteristic	Dust cap type	2pcs	Stick type	Dust cap not Flame retardant Dust cap may change by patch if not indicated	
	Dust cap material		PE/PVC		
	Dust Cap color	2pcs	White		
	Material: housing, inner core	1+1pcs	PC/PBT		
	Color: housing	1+1pcs	UPC: blue, APC: green,		
	Elastic sheet & Shutters	-	-		
	Sleeve	1pcs	LC, Zirconia Ceramics		
Others	Other parameters meet standard IEC61754-4, YD/T 1272.3				
Physical & Function Requirements	Adapter Type	Simplex Ports	LC-LC		
	Port Number		1		
	Panel Mounting Dimension	Panel hole check product drawing			
Mechanical Characteristic	Unmating Force	19.6N Max			
	Tensile strength of coupling mechanism	40N/10 Minute	IEC61300-2-6	68.6N keeping 15S	
		70N/10 Minute	GR326		
	Ceramic Bushing Retention Force	80N Min. per port			
	Cap retention force	-			
	Ceramic strength	6.8kg F 5S	Axis direction, without fracture, and IL Passed		
3.4kg F 5S		90° direction, without fracture and IL passed			
Repetition performance	Repeat plug in-out test	IEC61300-2-2, Number of the cycles: 500 $\Delta IL \leq 0.2dB$ , $\Delta RL \leq 5dB$ , No mechanical damage			
Optical Characteristic	Insertion Loss	$IL_{max} \leq 0.2dB$	All test $IL \leq 0.2dB$		
	Directionality of ceramic sleeve		Turn sleeve 0-90-180-270°	All 4 direction $IL \leq 0.2dB$	
Environmental	Working temperature	-25°C~+75°C			
Environment Protection	Materials are environment protection	RoHS	Or/and: REACH, HW		
Fire rating	Fire protection level	UL94-V0			
Packaging, Storage, Label	Packaging type	Blister box	Customer may order packaging type		
	Shelf Life	24 months	In room temperature, all specification almost no change		
	Other requirement for Packing Material	Recycle	Recycle, Anti-static, etc.		
	Label	Product name, specification, numbers, patch, manufacture logo or mark			Or customer ordered

**Zirconia ceramics Sleeve:**



**Product appearance:**



Note: dust cap may be indicated.

**Package: (confirming)**

1) 50pcs in a Blister box (5x5x2 levels)

	Blister box Size (cm)	22.5x14.2x2cm
	Q'ty (pcs//Bister)	50
	N.W. (g/each adapter)	
	Gross weight (50pcs/Blister)	

2) pcs in a big carton

	Outer Carton Size(cm)	
	Q'ty (blister box/outer carton)	
	Q'ty (pcs/ outer carton)	
	N.W. (kg/outer carton)	
	G.W. (kg/outer carton)	

**Attachment: Product drawing**

